

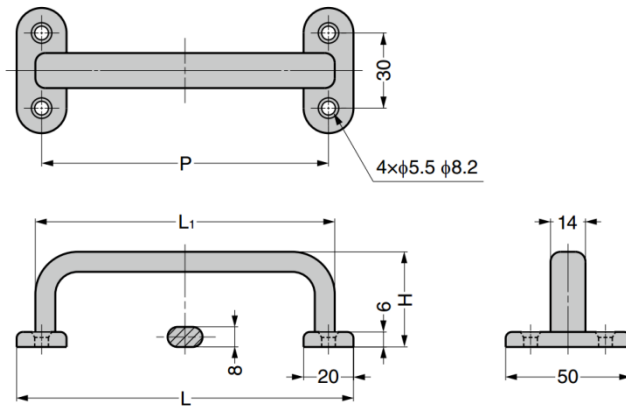
GEC-H Stainless Steel Handle

Material

- Stainless steel 303, polished

Parts Included

- Raised countersunk head tapping screw 4x20 (SUS)



Part No.	L	L ₁	H	P
GEC-H-135	135	120	40	115
GEC-H-165	165	150	42	145

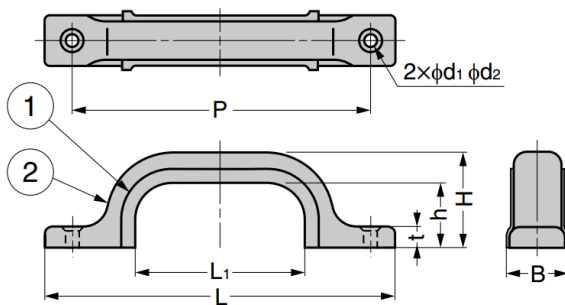
GUS Stainless Steel Handle

Features

- Rubber grip allows for easy and comfortable grip
- Handle surface made of stainless steel 304

Parts Included

- Raised countersunk head tapping screw (SUS)



No.	Part Name	Material	Finish / Colour
①	Pad	Elastomer (TPE)	Black
②	Frame	Stainless Steel (SUS304)	Satin and Polished Combination

Part No.	Finish	L	L ₁	P	B	H	h	t	d ₁	d ₂
GUS-70S	Satin	70	20	54	17	28	21	5.5	3.3	6.6
GUS-70M	Polished									
GUS-120S	Satin	120	57	102	19	32		6.5	3.8	7.6
GUS-120M	Polished									
GUS-160S	Satin	160	88	140	22	37.5	23	7.5	4.1	8.2
GUS-160M	Polished									